

# **GK Hera**

**Version 4.4**



*User manual*  
*11/2016*

**CE**



■ Contents

**For your safety** .....3

**Care & Cleaning of the tub** .....4

**Functions** .....5-6

    Activating the sit-in bath GK Hera .....5

    Closing the door .....5

    Closing the drain .....5

    Filling the bath .....5

    Adjusting the temperature .....5

    Activating the hydro massage .....5

    Adjusting the massage intensity .....5

    Bath additive and shampoo dispenser .....5

    Handling the shower .....5

    Draining the bathtub .....5

    Opening the door .....6

    Handling the disinfection .....6

    Flowmeter .....6

    Sleep mode .....6

**Troubleshooting** .....7

**Maintenance** .....8

**Service** .....8

**Intended use** .....9

**Standards & regulations** .....9

**Technical data** .....10

**Identification plate & CE mark** .....11

**Transport, Storage, Recycling** .....11

**Notes** .....12-14

■ **For your safety**

- Your GK Hera should only be operated by trained personnel.
- Always check the water temperature before immersing the client & before rinsing the client with the shower hose.
- Clean your GK Hera bath thoroughly after each use.
- Each bather should be assessed for their ambulatory capability before using the bath.
- Take care when entering and exiting the bath tub - use hand grips, etc.
- When using disinfection, wear rubber gloves and eye protection. In case of eye or skin contact, follow the procedures on the disinfectant container and material safety data sheet.
- Mains power to the bath should NEVER be isolated, except when necessary for routine maintenance & servicing.
- Don't deposit any things on the bathtub. Because of movement and vibrations, things can fall on the floor or in the tub.

**Caution:** *Failure to comply with the above advice / recommendations could result in personal injury to you or your patient and / or damage to the bath.*

**Note:** *The safety rules and instructions in this operating manual must be observed in order to ensure safe and proper use of the equipment. Adjustments and repairs must be carried out by authorized and appropriately qualified personnel. All claims under guarantee become void if these requirements are not met.*

## ■ Care & Cleaning of the tub

**Caution:** *Any product used to clean or disinfect your GK bath must be free from any abrasive, alcohol & corrosive ingredients. Never use any kind of customary glass cleansers, solvents (e.g. acetone) or similar detergents or dilutions. Never use harsh or pointed utensils, e.g. rough clothes, scrubbing sponges, scouring pads or any tools. If you are in any doubt about your usual cleaning products please contact your GK representative before use.*

*Any damage caused by unapproved / unsuitable products will not be covered by the manufacturer's warranty.*

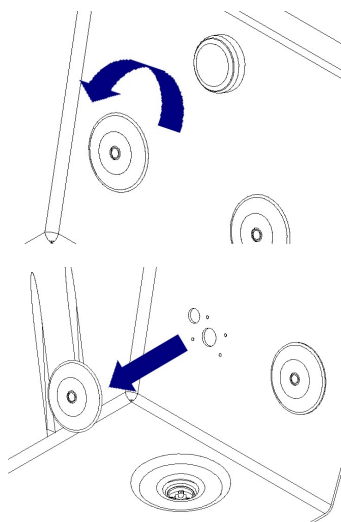
For cleaning, after use always rinse the bath tub thoroughly with the shower hose. Any dirt which adheres to the bathtub surfaces must be removed with a soft sponge or cloth and, if necessary, customary detergents (besides the above mentioned restrictions). Always clean the plastic parts wet or damp but never dry.

**We recommend using our approved shampoo and bath additive products with your GK bath.** Other products may cause more persistent dirt being harder to clean.

**We also recommend for you to polish the white bath tub body once a month with car polish cream.** This will give the bathtub a smooth, water repellent surface and will make routine cleaning considerably easier - it will also enhance the appearance of your GK bath.

**Once in a while, the door seal should be treated with talcum to give the seal a smooth surface. This way the door will not stick to the door frame.**

A disinfection cycle should always be performed after cleaning.



Where fitted, the jet coverings should also be cleaned & disinfected (see pictures).

To do that, unscrew the jet cover anti-clockwise. Now clean the cover, the inlet aperture and the outlet aperture thoroughly.

Re-assemble the jet cover by rotating it clockwise.

**Note:** *Do not use excessive force!*

If you have any further questions or require more information please contact your local GK representative, who will be happy to advise.

**1 Activating the sit-in bath GK Hera**

After activating the **sit-in bathtub GK Hera** by pressing any button (**pic. 1**) you will notice two illuminated LED lights on the control panel. One of them is on the “disinfection” button (**B**), the other is on the “door open” (**D**) or “door close” button (**G**). Open the door fully. The person can now be transferred into the bath.

**2 Closing the door**

Press the “door close” button (**G**) on the control panel and close the door. The door will lock automatically. When the door is locked a permanent red light will appear on the “door close” button (**G**).

**3 Closing the drain**

The drain control knob (**N - pic. 2**) is located opposite of the door. Turning the drain control knob clockwise will close the drain plug.

**4 Filling the bath**

Press the “fill” button (**I**). A red LED light will appear on the “fill” button (**I**) and the bath will now start filling. At the highest allowed filling level the tub fill as well as the LED will shut off automatically.

You can interrupt the filling process at any time by pressing the “fill” button (**I**) again. Pressing it a 3rd time will reactivate the tub fill.

**5 Adjusting the temperature**

Adjust the temperature by turning the thermal mixing valve (**L**) located in the centre of the control panel (**pic. 4**). The current tub fill or shower temperature is shown on the digital display (**M**) above the valve.

**6 Activating the hydro massage**

If the hydro massage function is installed and the water level is high enough, the “jet” button (**C**) will begin to flash. Press the “jet” button (**C**) to turn the jets (**O - pic. 2**) on. The LED will glow continuously.

**7 Adjusting the massage intensity**

To adjust the intensity of the hydro massage jets press the “+” (**F**) or the “-” button (**E**). The jets will shut off after 20 minutes automatically. However, you can shut it off manually by pressing the “jet” button (**C**) again.

**8 Bath additive and shampoo dispenser**

If installed, bath additive and shampoo can be dispensed at any time by pressing and holding the corresponding button, “additive” (**K**) or “shampoo” (**A**). Both bath additive and shampoo dispense at the tub-fill spout (**P**) in a controlled fashion.

**9 Handling the shower**

Take the white hand shower (**pic. 5**) from its holder and press the “shower” button (**H**) on the control panel. The button will be illuminated in red. The shower can be activated at any time by pressing the trigger (**R**) on the hand shower.

**10 Draining the bathtub**

To drain, turn the drain control knob (**N - pic. 2, comp. pt. 3**) anticlockwise.



**pic. 3**



pic. 1

### 11 Opening the door

Once the bath is drained, press the “door open” button (D) to allow the person to exit the bath.

**Note:** In case of emergency, it is possible to open the door even when the tub is full of water. Press the emergency button “behind” the control panel (on the outside of the tub) and the door will open immediately regardless of the water level. **Use this function only in extreme situations!**



pic. 2

### 12 Handling the disinfection

If disinfection is installed, the “disinfection” button (B) will light up in red after the bath is drained. Now take the red hand shower (S - pic. 6) and press the “disinfection” button (B). The button will turn green.

Now spray all internal tub surfaces with the disinfection solution. In order to disinfect the hydro massage system hold the red shower head directly in front of each massage nozzle and thus route the disinfection solution into the nozzles. When finished press the “disinfection” button (B) again. It will turn red.

After the prescribed contact time press the “shower” button (H) and select maximum temperature. Now use the white hand shower to rinse all disinfected parts thoroughly (also the massage nozzles as done before with the red hand shower). To complete the procedure press the “shower” button (H) again. The hydro massage jets will be turned on for a second.

**Note:** During the whole disinfection procedure all other functions are disabled. You can not fill the tub until the disinfection procedure has been fully completed. If the disinfection container is empty, the light is flashing.



pic. 4

### 13 Flowmeter

The flowmeter is used to adjust the mixture ratio between water and disinfectant. It is located next to the hose connector for the disinfection on the outside of the bathtub. The table next to the flowmeter (or else on the disinfectant container) should help you to find the right values. Always follow the instructions of the disinfectant manufacturer. Usually the flowmeter is adjusted once when the tub is installed.



pic. 5

### 14 Sleep mode

If the sit-in bathtub GK Hera is left unused for over an hour, it will go into sleep mode. In this case the temperature display (M) shows three horizontal lines (- - -). Press any button on the control panel to reactivate it.



pic. 6

## ■ Troubleshooting

### **Very little water runs out of the tub fill.**

Check the hot and cold water supplies - the mixing valves do not work correctly if either the hot or cold water is isolated or if there is not enough pressure in the water supply system.

### **Disinfection system will not work and the button is flashing.**

The disinfection container is empty. Replace it with a full disinfection container.

### **Disinfection system will not work and the button is flashing even though the container is full.**

The disinfection sensor is defective and has to be replaced.

### **No bath additive or shampoo appears by pressing the buttons.**

The corresponding box is empty or there is air in the system. Replace the container, if necessary, check the connections and press the corresponding button repeatedly for a longer time.

### **The sleep mode at the maximum fill level does not work.**

The sensor is defective. Contact your local GK representative.

### **The door will open only by using the emergency button behind the control panel.**

Ensure that all the water has been drained. Then use a towel to rub the foot area of the tub dry.

**Note:** If any of the problems persist, the system may have developed a fault. Contact your local GK representative.



## ■ Maintenance

Adjustments and repairs must be carried out only by authorized and appropriately qualified personnel.

We recommend to have a functional and a safety check done at least every 12 months.

Regularly check the filling level of the disinfection, bath additive and shampoo containers.

The following inspections should be made at least once a year:

- Check all hoses, tubes and connections for leaks, corrosion or any other damage.
- Check the strainer between the hand showers and their hoses and clean them if necessary.
- Check for cracking, de-lamination, staining, scoring or any other damage on the bath tub surfaces, internally & externally, as well as on all visible parts of the build-in hoist, the detachable seat and the separate chassis.
- Ensure that the jet coverings of the hydro-massage system have been cleaned regularly.

**Caution:** *In the event of detected damage, do not use the tub any more until your local GK representative told you that it is (again) safe to do so.*

**Note:** In the event of problems occurring, clear and detailed information about symptoms, type and serial number (see identification plate) will help your local GK representative to respond promptly.

## ■ Service

At least **once a year** a service or safety inspection in accordance with Medical Device Directive (MDD) is mandatory.

- Remember that GK service is unmatched in quality and also with regards to warranty issues. GK will only consider itself liable for safety-related matters if maintenance, repairs, modifications etc. are exclusively carried out by our service team or by agents authorized by us.

## ■ Intended use

Bathing system for bathing patients with restricted mobility. The bathing system is mainly used in care institutes, to a lesser degree also on hospital wards. It is used in a professional environment by trained and competent personnel.

## ■ Standards & regulations

The bathtub complies with the essential requirements pursuant to Appendix I of the Medical Device Directive 93/42/EEC.


In accordance with the classification regulations pursuant to Appendix IX of the Medical Device Directive 93/42/EEC, the bathtub is a Class I medical device.



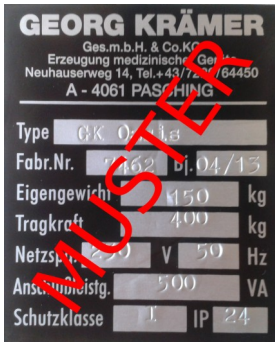
### **ISO 9001**

Our production is subject to a quality management system according to ISO 9001.

**■ Technical data**- Bathtub **GK Hera:**

- Voltage: AC 230 V or AC 115 V
- Frequency: 50 Hz or 60 Hz
- Power consumption: 168 VA
- Fuses: 3,15 A time-delay  
3 A time-delay (5 A time-delay at 115 V)  
15 A time-delay (6,3 A time-delay at 115 V)
  
- Protection class: I
- Degree of protection: IPX4
- Protection type: Type B 
  
- Overall length: 1510 mm
- Overall width: 760 mm
- Overall height: 970 mm
  
- Time of guarantee: 2 years (besides wear parts)
  
- Classification according to MDD 93/42/EEC): **Class I**

## ■ Identification plate & CE mark



### Identification plate

This plate give you some information's about the Product, for instance type, production date, serial number,...



### CE mark

The CE mark has been affixed as proof of its compliance with the legal requirements of Appendix I of the Medical Device Directive 93/42/EEC.

## ■ Transport, Storage, Recycling

### Operating conditions

Max ambient temperature:	40 °C
Max relative humidity:	80 % not condensed at 20 °C
Atmospheric pressure range:	500 hPa to 1060 hPa

### Transport and Storage

Ambient temperature range:	-20 °C to 60 °C
Relative humidity range:	80 % not condensed at 20 °C
Atmospheric pressure range:	500 hPa to 1060 hPa

### Recycling

Package:	Wood and corrugated cardboard, recyclable
Product:	Electric, steel and plastic parts shall be separated and recycled

■ Notes

■ **Notes**

■ Notes



Georg Krämer Ges.m.b.H. & Co. KG

A-4061 Pasching  
Neuhauserweg 14

Tel. +43 / (0) 7229 / 64450  
Fax +43 / (0) 7229 / 70664  
[service@gk-medizinmechanik.at](mailto:service@gk-medizinmechanik.at)  
[www.gk-medizinmechanik.at](http://www.gk-medizinmechanik.at)